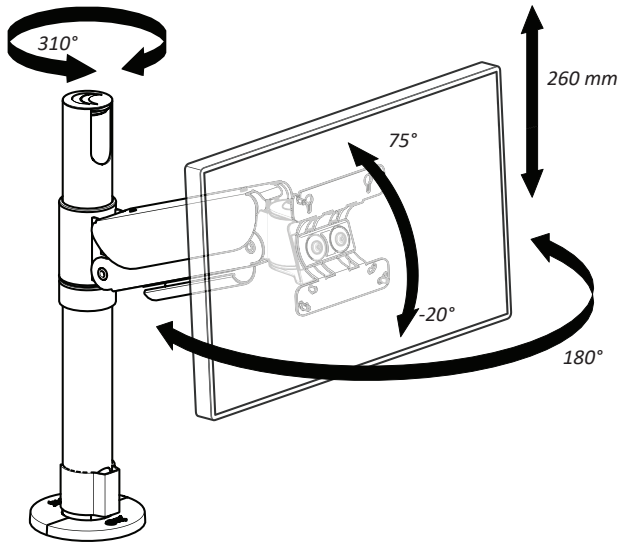

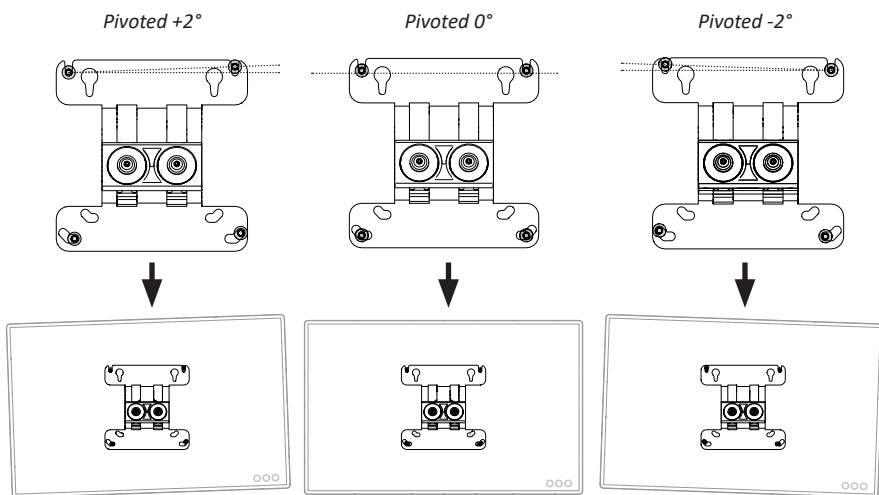


Screen adjustments



 Cable is not illustrated to improve images' clarity.

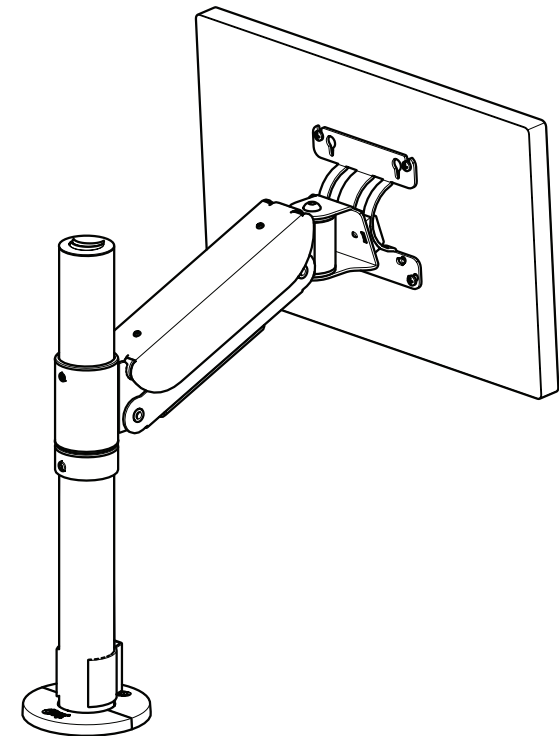
VESA Pivot Adjustability



Essentials Installation Guide

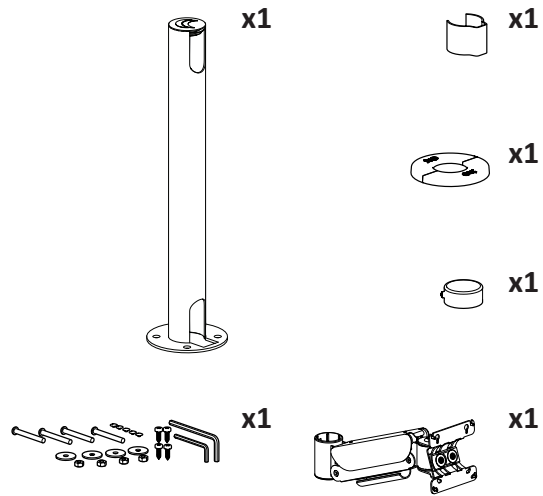
SPV1305

SpacePole Arc® VESA 75/100 Height-adjustable Screen Mount

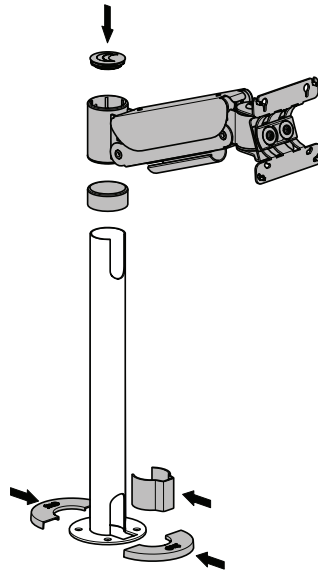


 SpacePole®
mounting & mobility

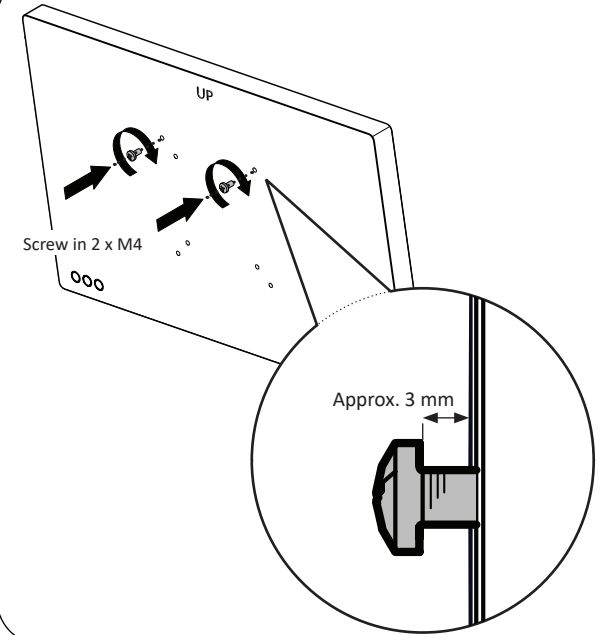
Box Content



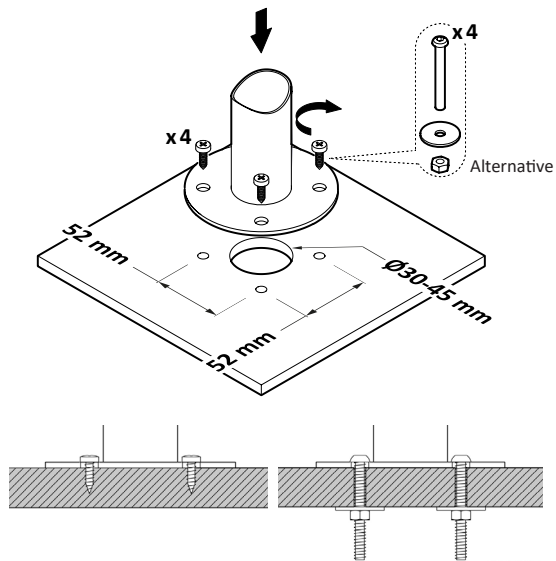
2 Install screen mount



3 Select screws and mount on screen

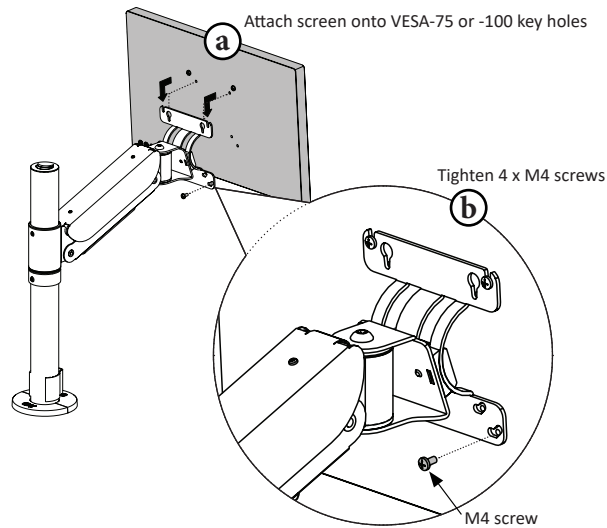


1 Pole counter mounting



⚠ For more mounting options see "SpacePole FixingsGuide"

4 Install screen on VESA mount



⚠ Screens can be pivoted $\pm 2^\circ$ - see back page

5 Screen height adjustments

